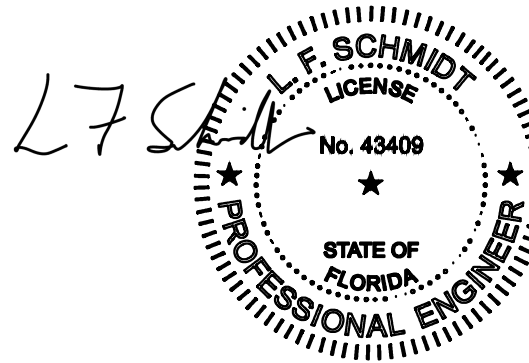




250 Staunton Turnpike, Parkersburg, WV 26104



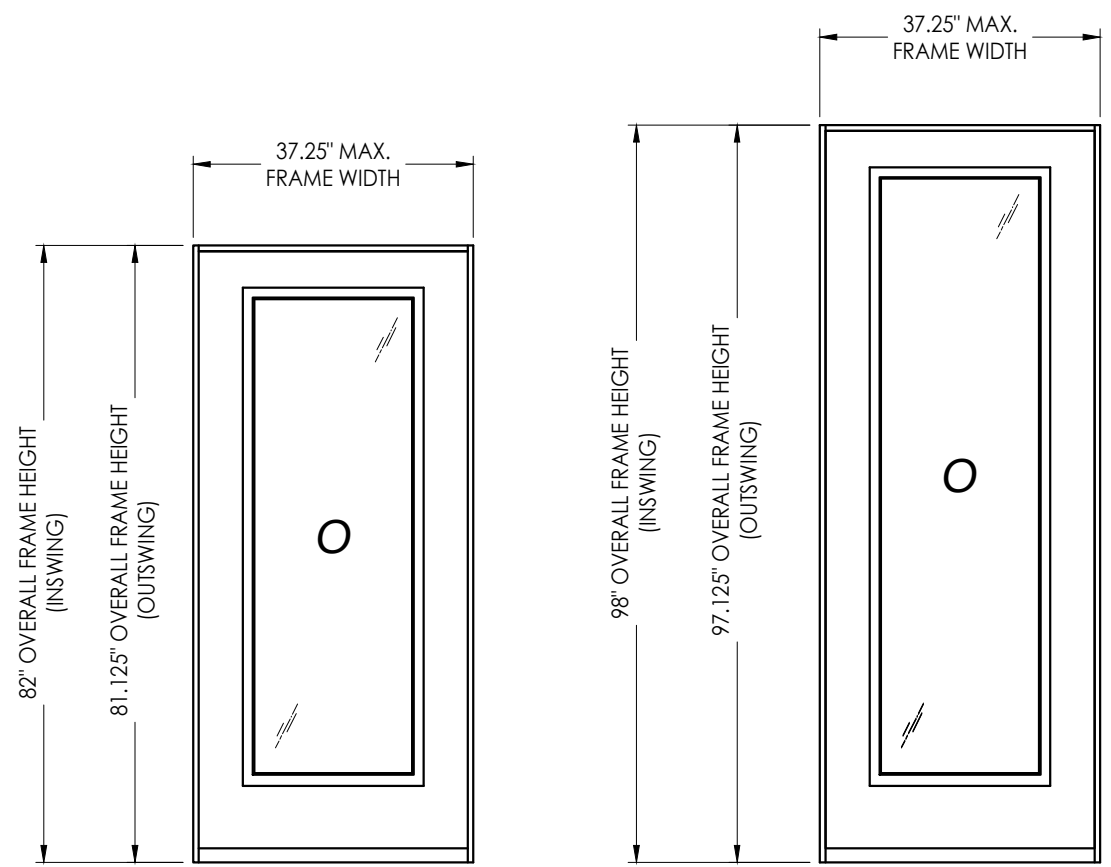
This item has been digitally signed and sealed by L. F. Schmidt, P.E. on the date adjacent to the seal. Printed copies of this document are not considered signed and sealed and the signature must be verified on any electronic copies.

THIS PRODUCT APPROVAL IS VALID ONLY FOR THE STATE OF FLORIDA

Documents Prepared By:
Lyndon F. Schmidt
P.E. No. 43409

RW BUILDING CONSULTANTS, INC.
P.O. Box 230, Valrico, FL 33595
Phone No.: 813.659.9197
FBPE Registry No. 9813

FIBERGLASS FIXED SIDELITE IN SWING / OUT SWING "IMPACT"



GENERAL NOTES

1. This product has been evaluated and is in compliance with the 8th Edition (2023) Florida Building Code (FBC) structural requirements excluding the "High Velocity Hurricane Zone" (HVHZ).
2. Product anchors shall be as listed and spaced as shown on details. Anchor embedment to base material shall be beyond wall dressing or stucco.
3. When used in areas requiring wind borne debris protection this product complies with FBC Sections 1609.1.2 & R301.2.1.2 and does not require an impact resistant covering. This product meets missile level "D" and includes Wind Zone 4 as defined in ASTM E1996 and FBC Sections 1609.1.2.2 & R301.2.1.2.1.
4. For 2x stud framing construction, anchoring of these units shall be the same as that shown for 2x buck masonry construction.
5. Site conditions that deviate from the details of this drawing require further engineering analysis by a licensed engineer or registered architect.

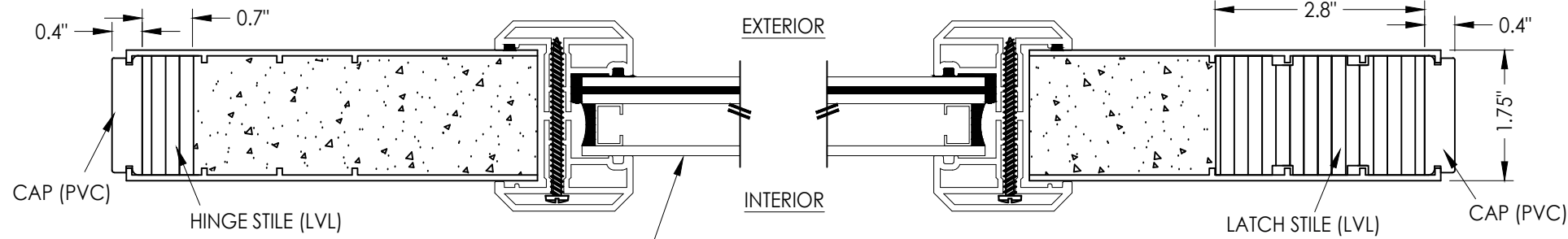
TABLE OF CONTENTS

SHEET #	DESCRIPTION
1	Typical elevations, design pressures & general notes
2	Sidelite panel details (6'-8")
3	Sidelite panel details (8'-0")
4	Horizontal & Vertical Cross Sections (2X Buck)
5	Horizontal & Vertical Cross Sections (1X Buck & Direct to Masonry)
6	Horizontal & Vertical Cross Sections (Direct to Masonry & Thresholds)
7	Buck & Frame Anchoring
8	Bill of materials and components

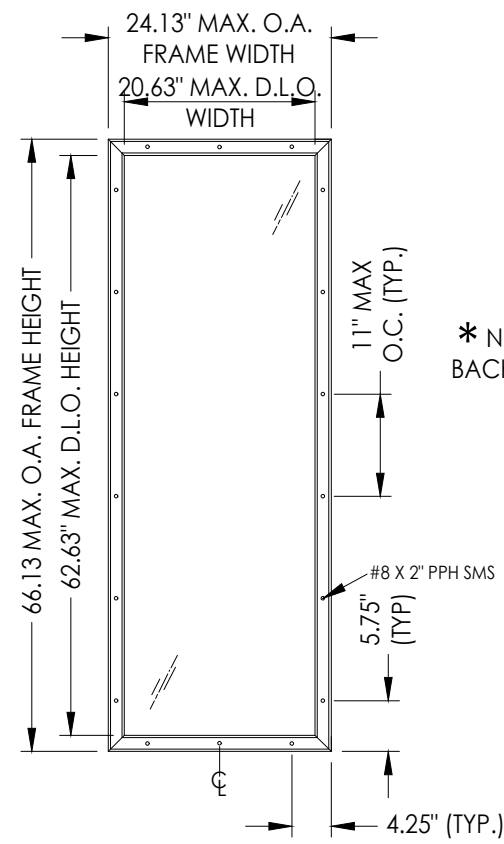
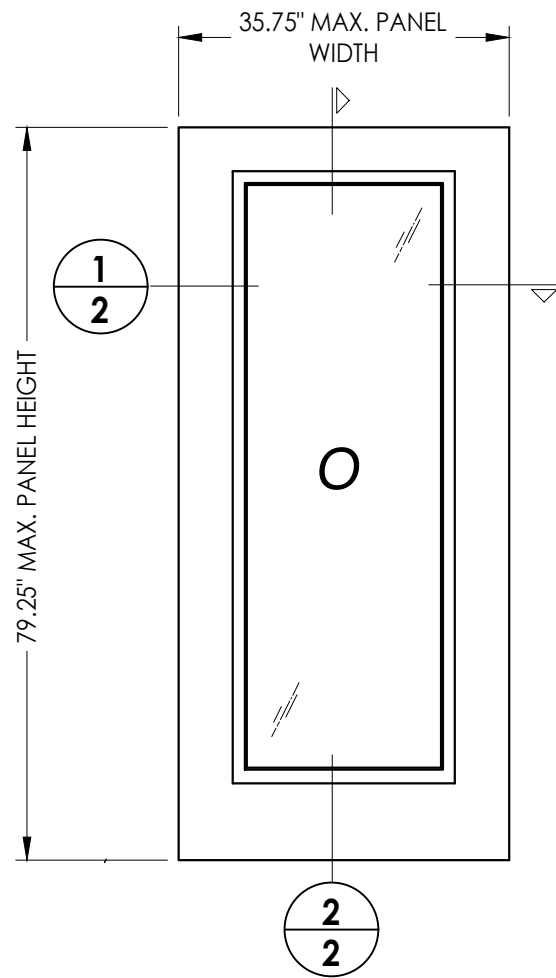
CONFIGURATION	MAX. FRAME DIMENSION	DESIGN PRESSURE (PSF) INSWING		DESIGN PRESSURE (PSF) OUTSWING	
		POSITIVE	NEGATIVE	POSITIVE	NEGATIVE
X	37.5" x 82"	+50.0	-50.0	+50.0	-50.0
X	37.5" x 98"	+50.0	-50.0	+50.0	-50.0

PRODUCT:	WINCORE FIBERGLASS ENTRY DOOR "Impact"	
PART OR ASSEMBLY:	TYPICAL ELEVATION, DESIGN PRESSURES & GENERAL NOTES	
NO.	DATE	BY
2	7/06/23	LFS
1	10/14/20	LFS
REVISIONS		
DATE: 8/08/19		
SCALE: N.T.S.		
DWG. BY: RW		
CHK. BY: LFS		
DRAWING NO.: FL-30037.9		
SHEET 1 OF 8		

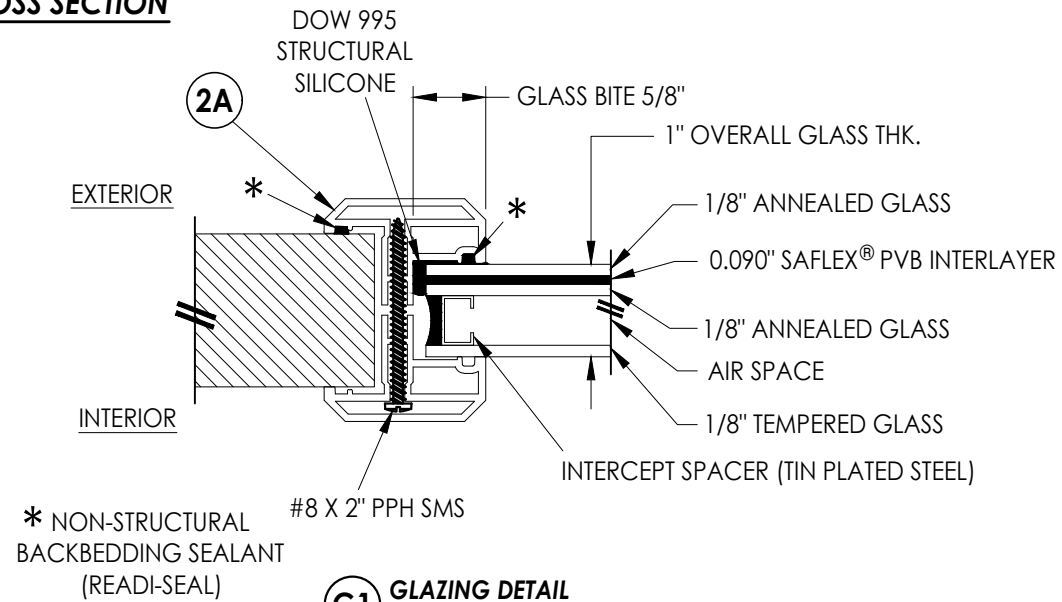
Z:\2023 FBC Drawings\Wincore Window Company\FL-30037 R4\FL-30037.9.dwg



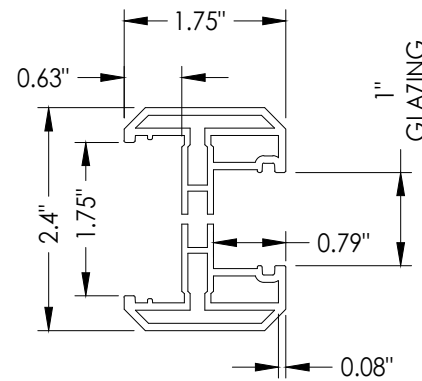
1
2 **HORIZONTAL CROSS SECTION**



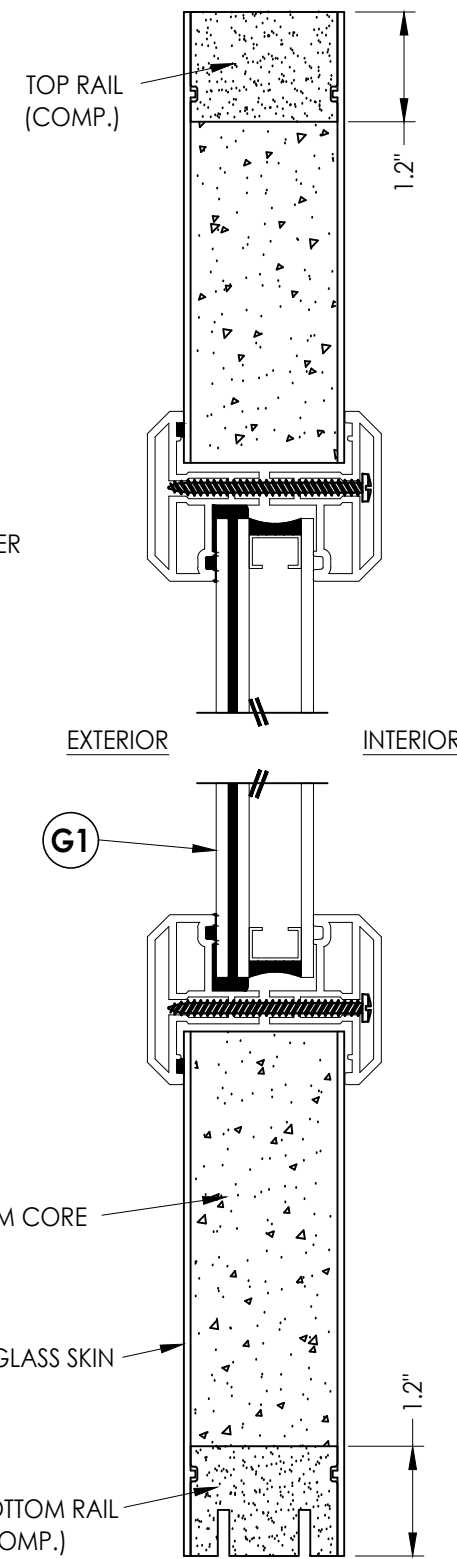
ODL LITE FRAME DETAIL
"FLAT FRAME" PROFILE



G1 **GLAZING DETAIL**
ODL "FLAT FRAME"



2A **ODL LITE FRAME**
"FLAT FRAME" PROFILE
(6063-T5 ALUM)



2
2 **VERTICAL CROSS SECTION**

50 **PLASTPRO SIDELITE PANEL**
6'-8"

FIBERGLASS SKIN: 0.075" MIN. THK.
FOAM CORE: POLYURETHANE - 1.9 PCF MIN.)

Documents Prepared By:
Lyndon F. Schmidt
P.E. No. 43409

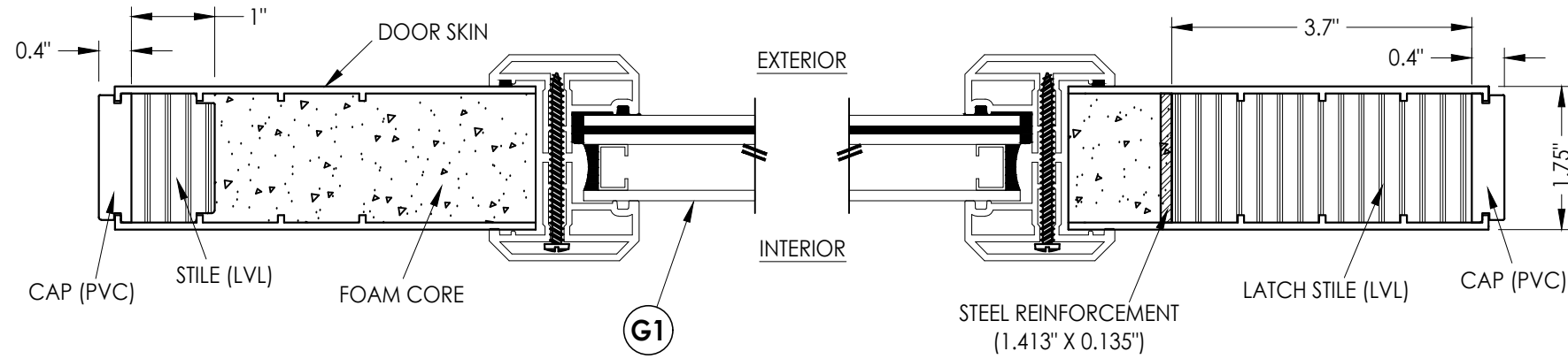
RW BUILDING CONSULTANTS, INC.
P.O. Box 230, Vairico, FL 33595
Phone No.: 813.659.9197
FBPE Registry No. 9813

PRODUCT: WINCORE
FIBERGLASS ENTRY DOOR
"Impact"
PART OR ASSEMBLY:
SIDELITE PANEL DETAILS (6'-8")

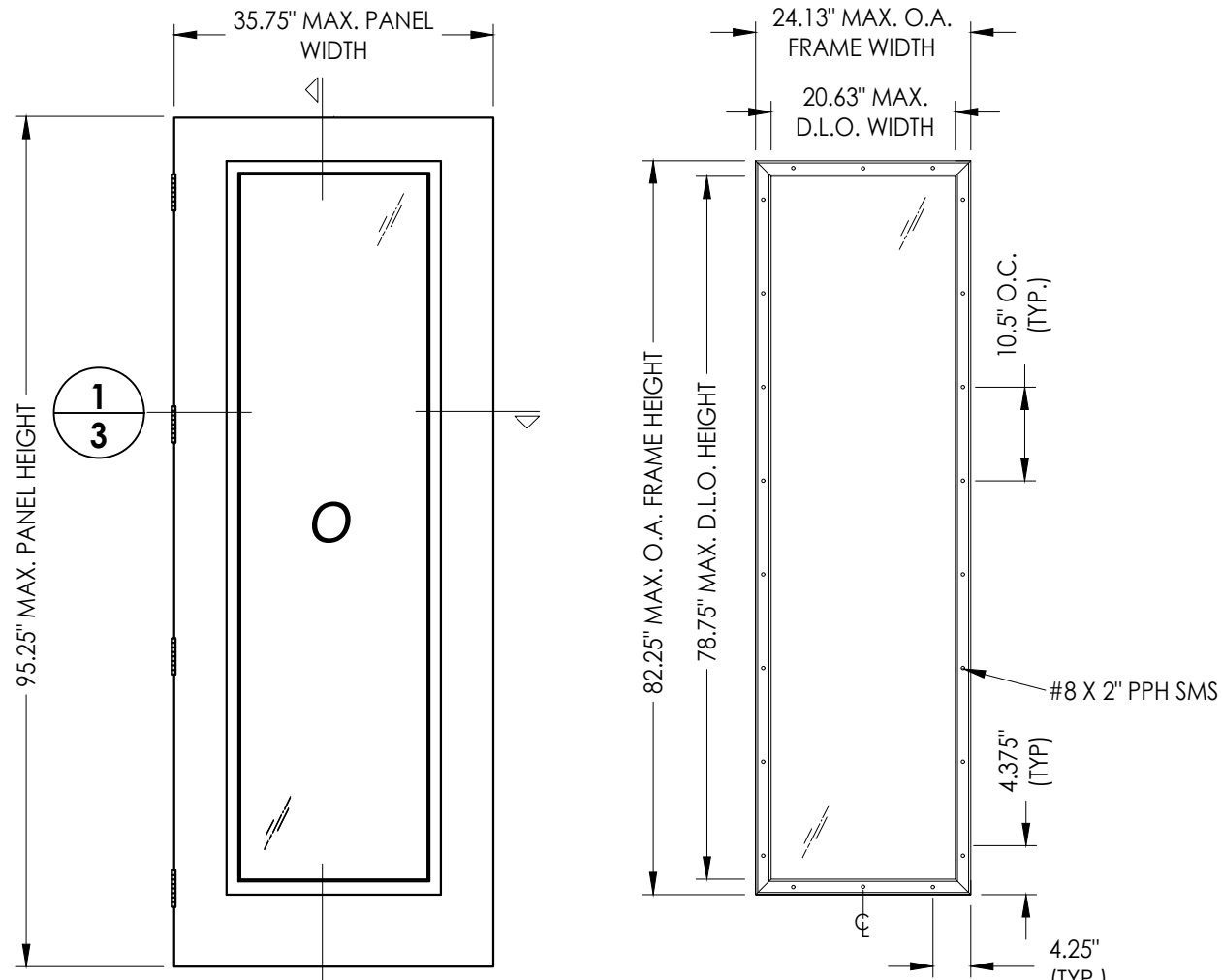
NO.	DATE	BY
2	7/06/23	LFS
1	10/14/20	LFS

DATE: 8/08/19
SCALE: N.T.S.
DWG. BY: RW
CHK. BY: LFS
DRAWING NO.: FL-30037.9
SHEET 2 OF 8

© 2019 R.W. BUILDING CONSULTANTS INC.

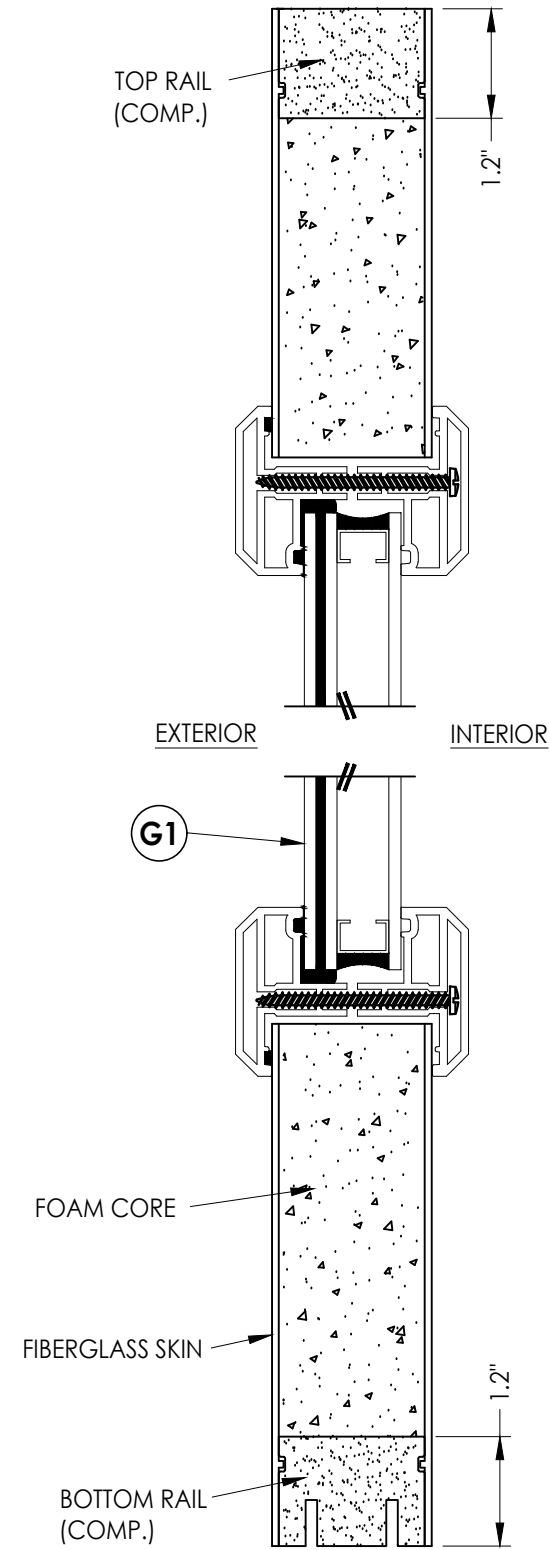


1
3 **HORIZONTAL CROSS SECTION**



2
3
51 PLASTPRO SIDELITE PANEL
8'-0"

FIBERGLASS SKIN: 0.075" MIN. THK.
FOAM CORE: POLYURETHANE - 1.9 PCF MIN.)



2
3 **VERTICAL CROSS SECTION**

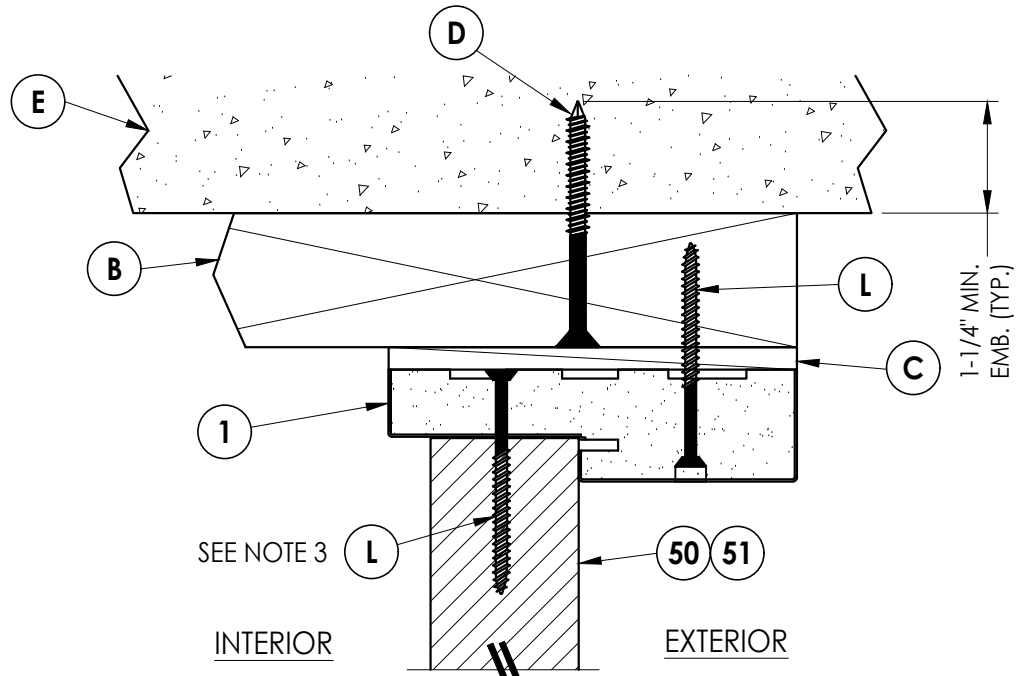
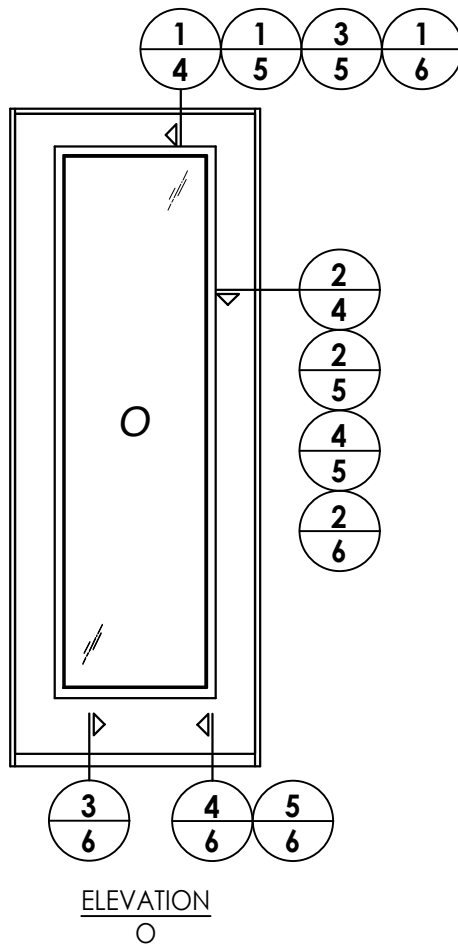
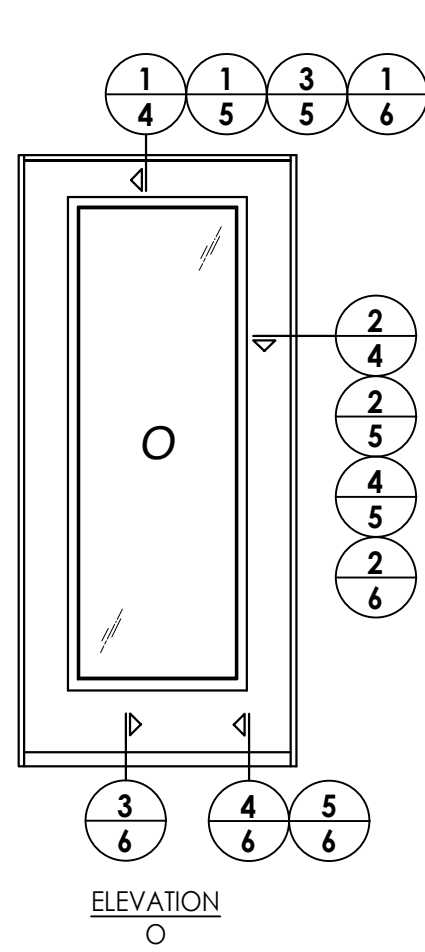
Documents Prepared By:
Lyndon F. Schmidt
P.E. No. 4-3409

RW BUILDING CONSULTANTS, INC.
P.O. Box 230, Valrico, FL 33595
Phone No.: 813.659.9197
FBPE Registry No. 9813

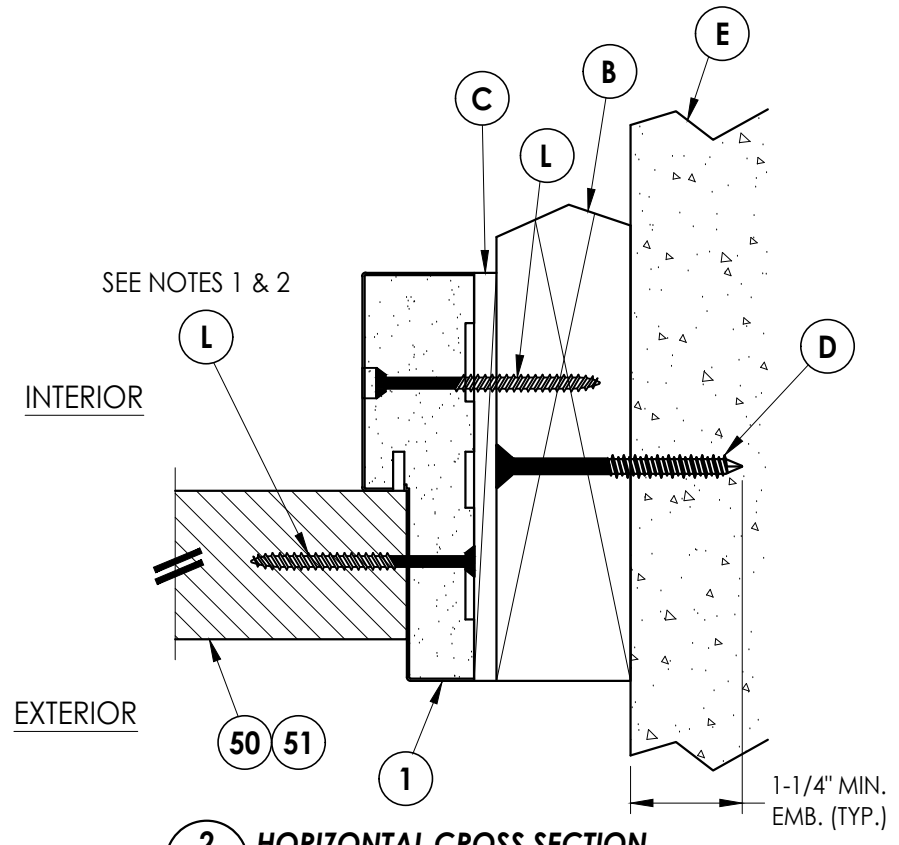
PRODUCT: WINCORE
FIBERGLASS ENTRY DOOR
"Impact"
PART OR ASSEMBLY:
SIDELITE PANEL DETAILS (8'-0")

NO.	DATE	REVISIONS
2	7/06/23	UPDATE TO 8TH ED. (2023) FBC LFS
1	10/14/20	UPDATE TO 7TH ED. (2020) FBC LFS
		BY

DATE: 8/08/19
SCALE: N.T.S.
DWG. BY: RW
CHK. BY: LFS
DRAWING NO.: FL-30037.9
SHEET 3 OF 8



1 VERTICAL CROSS SECTION
4 Outswing shown (Inswing similar)



2 HORIZONTAL CROSS SECTION
4 Outswing shown (Inswing similar)

- NOTES:**
1. 6'-8" Sidelite spacing for item L: 6" from each end and 3 more equally spaced along sidelite jamb (5 total).
 2. 8'-0" Sidelite spacing for item L: 6" from each end and 5 more equally spaced along sidelite jamb (7 total).
 3. Spacing for item L @ head & sill: 6" from each end, 1 @ centerline.

Documents Prepared By:
Lyndon F. Schmidt
P.E. No. 43409

RW BUILDING CONSULTANTS, INC.
P.O. Box 230, Vairico, FL 33595
Phone No.: 813.659.9197
FBPE Registry No. 9813

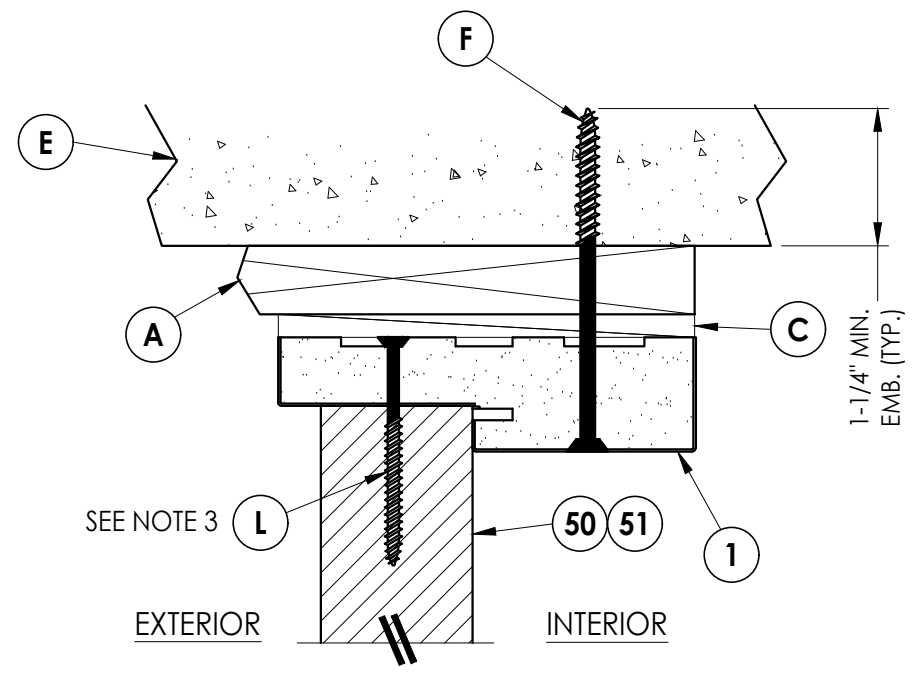
PRODUCT: WINCORE
FIBERGLASS ENTRY DOOR
"Impact"

PART OR ASSEMBLY:
HORIZONTAL & VERTICAL
CROSS SECTIONS (2X BUCK)

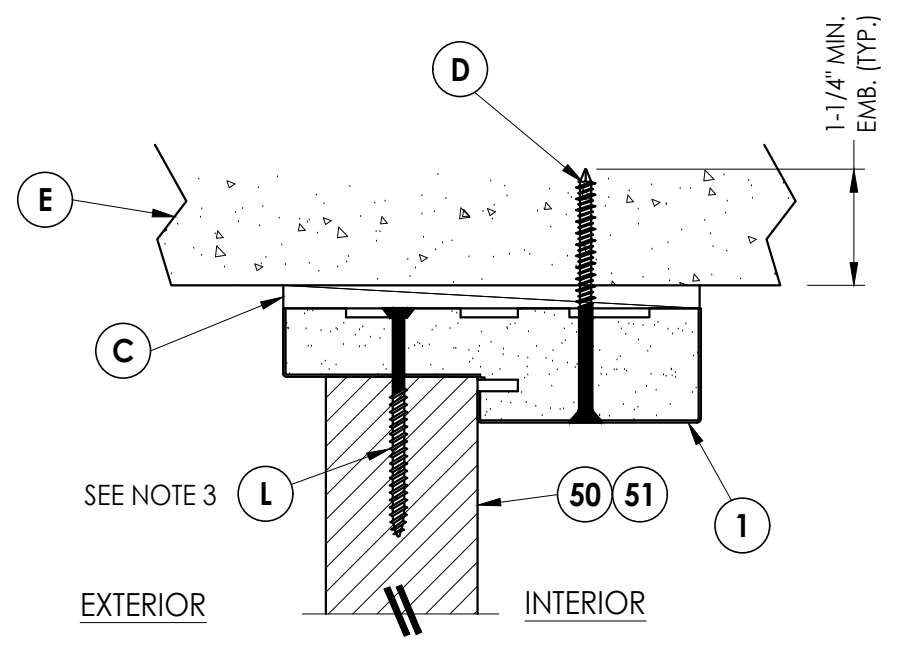
NO.	DATE	REVISIONS
2	7/06/23	UPDATE TO 8TH ED. (2023) FBC LFS
1	10/14/20	UPDATE TO 7TH ED. (2020) FBC LFS
		BY

DATE: 8/08/19
SCALE: N.T.S.
DWG. BY: RW
CHK. BY: LFS
DRAWING NO.: FL-30037.9
SHEET 4 OF 8

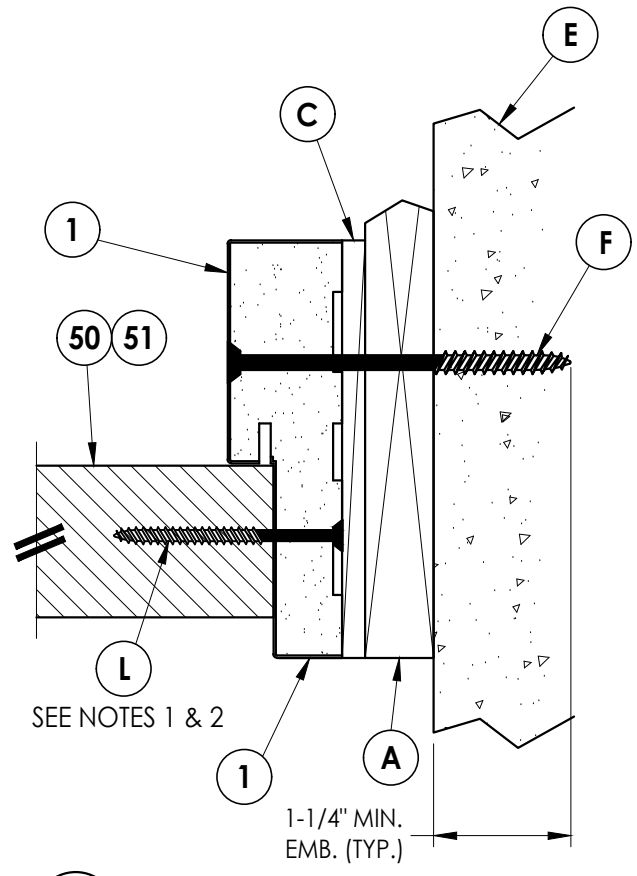
Z:\2023 FBC Drawings\Wincore Window Company\FL-30037 R4\FL-30037.9.dwg



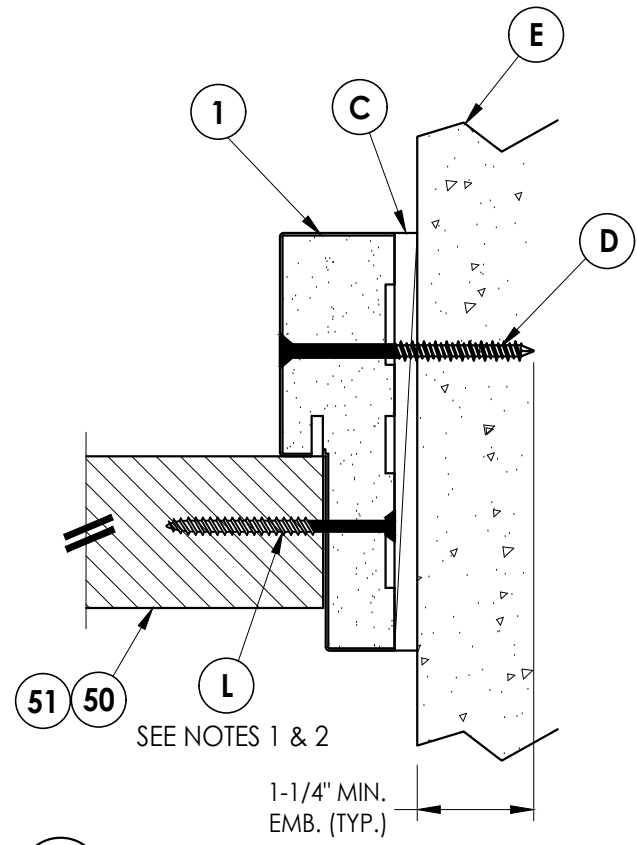
1 VERTICAL CROSS SECTION
5 Shown w/ 1X sub-buck
 Outswing shown (Inswing similar)



3 VERTICAL CROSS SECTION
5 Shown Direct to Masonry
 Outswing shown (Inswing similar)



2 HORIZONTAL CROSS SECTION
5 Shown w/ 1X sub-buck
 Outswing shown (Inswing similar)



4 HORIZONTAL CROSS SECTION
5 Shown Direct to Masonry
 Outswing shown (Inswing similar)

- NOTES:
- 6'-8" Sidelite spacing for item L: 6" from each end and 3 more equally spaced along sidelite jamb (5 total).
 - 8'-0" Sidelite spacing for item L: 6" from each end and 5 more equally spaced along sidelite jamb (7 total).
 - Spacing for item L @ head & sill: 6" from each end, 1 @ centerline.

Documents Prepared By:
 Lyndon F. Schmidt
 P.E. No. 43409

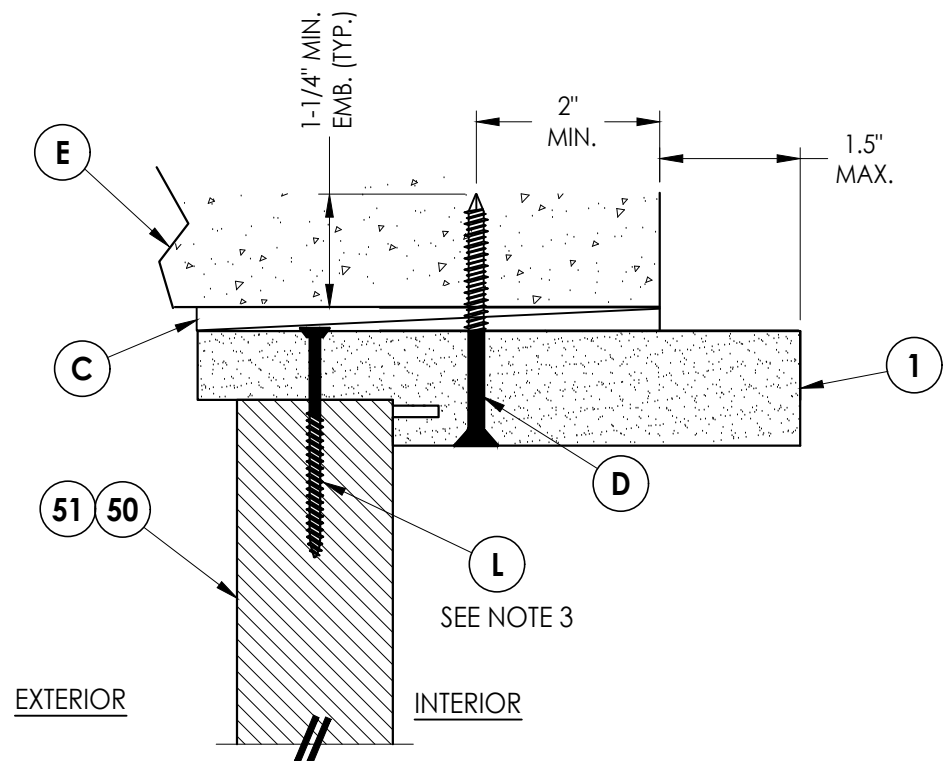
RW BUILDING CONSULTANTS, INC.
 P.O. Box 230, Valrico, FL 33595
 Phone No.: 813.659.9197
 FBPE Registry No. 9813

PRODUCT: WINCORE
 FIBERGLASS ENTRY DOOR
 "Impact"

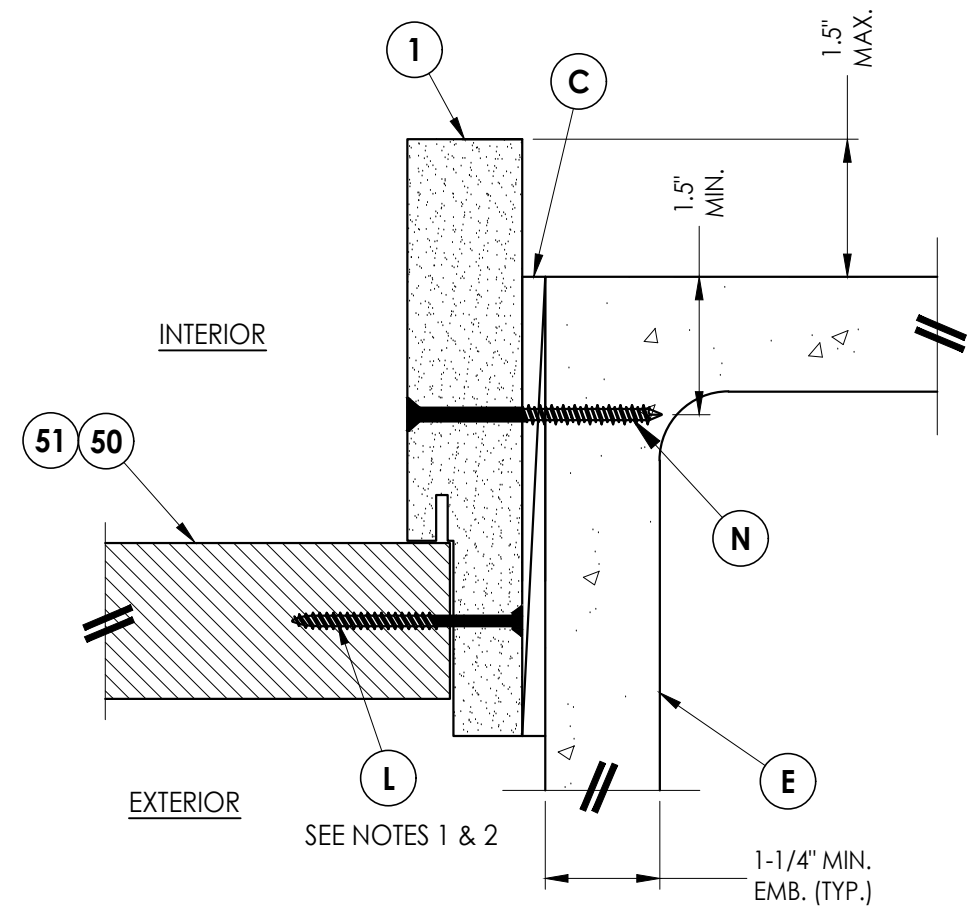
PART OR ASSEMBLY:
 HORIZONTAL & VERTICAL CROSS
 SECTIONS (1X BUCK & D.T.M.)

NO.	DATE	REVISIONS
2	7/06/23	UPDATE TO 8TH ED. (2023) FBC LFS
1	10/14/20	UPDATE TO 7TH ED. (2020) FBC LFS
		BY

DATE: 8/08/19
 SCALE: N.T.S.
 DWG. BY: RW
 CHK. BY: LFS
 DRAWING NO.:
 FL-30037.9
 SHEET 5 OF 8

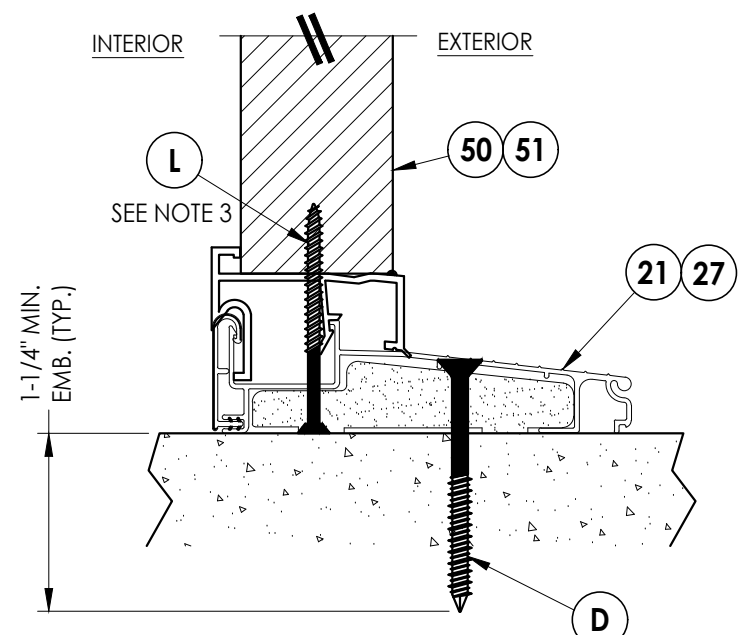


1
6 **VERTICAL CROSS SECTION**
Shown Direct to Masonry
Outswing only w/ 6-9/16" jamb

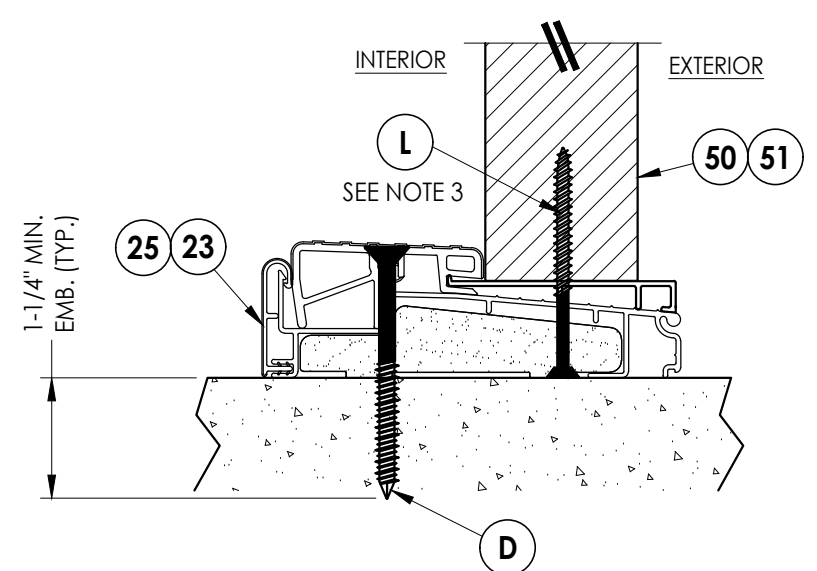


2
6 **HORIZONTAL CROSS SECTION**
Shown Direct to Masonry
Outswing only w/ 6-9/16" jamb

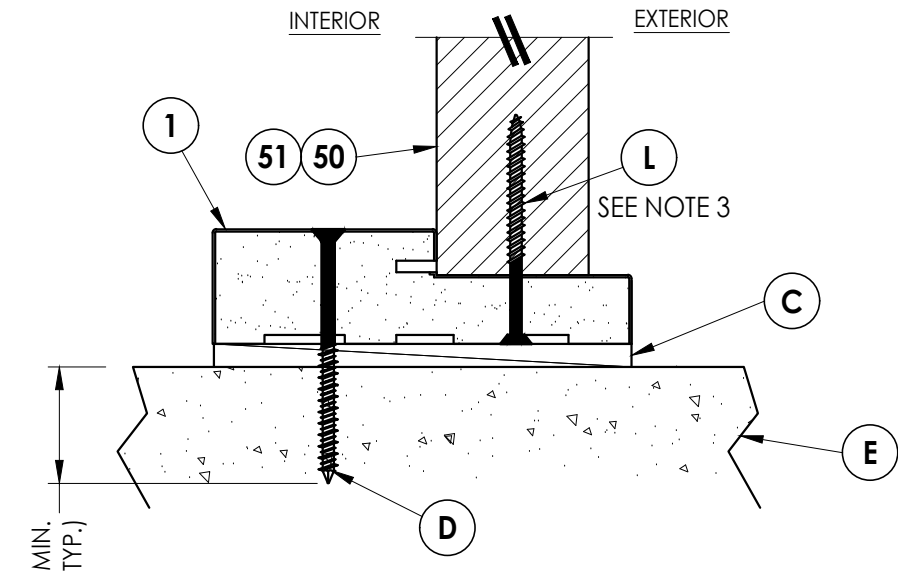
- NOTES:
1. 6'-8" Sidelite spacing for item L: 6" from each end and 3 more equally spaced along sidelite jamb (5 total).
 2. 8'-0" Sidelite spacing for item L: 6" from each end and 5 more equally spaced along sidelite jamb (7 total).
 3. Spacing for item L @ head & sill: 6" from each end, 1 @ centerline.



3
6 **VERTICAL CROSS SECTION**
Inswing sill



4
6 **VERTICAL CROSS SECTION**
Outswing sill



5
6 **VERTICAL CROSS SECTION**
Outswing Shown (Inswing Similar)

Documents Prepared By:
Lyndon F. Schmidt
P.E. No. 43409

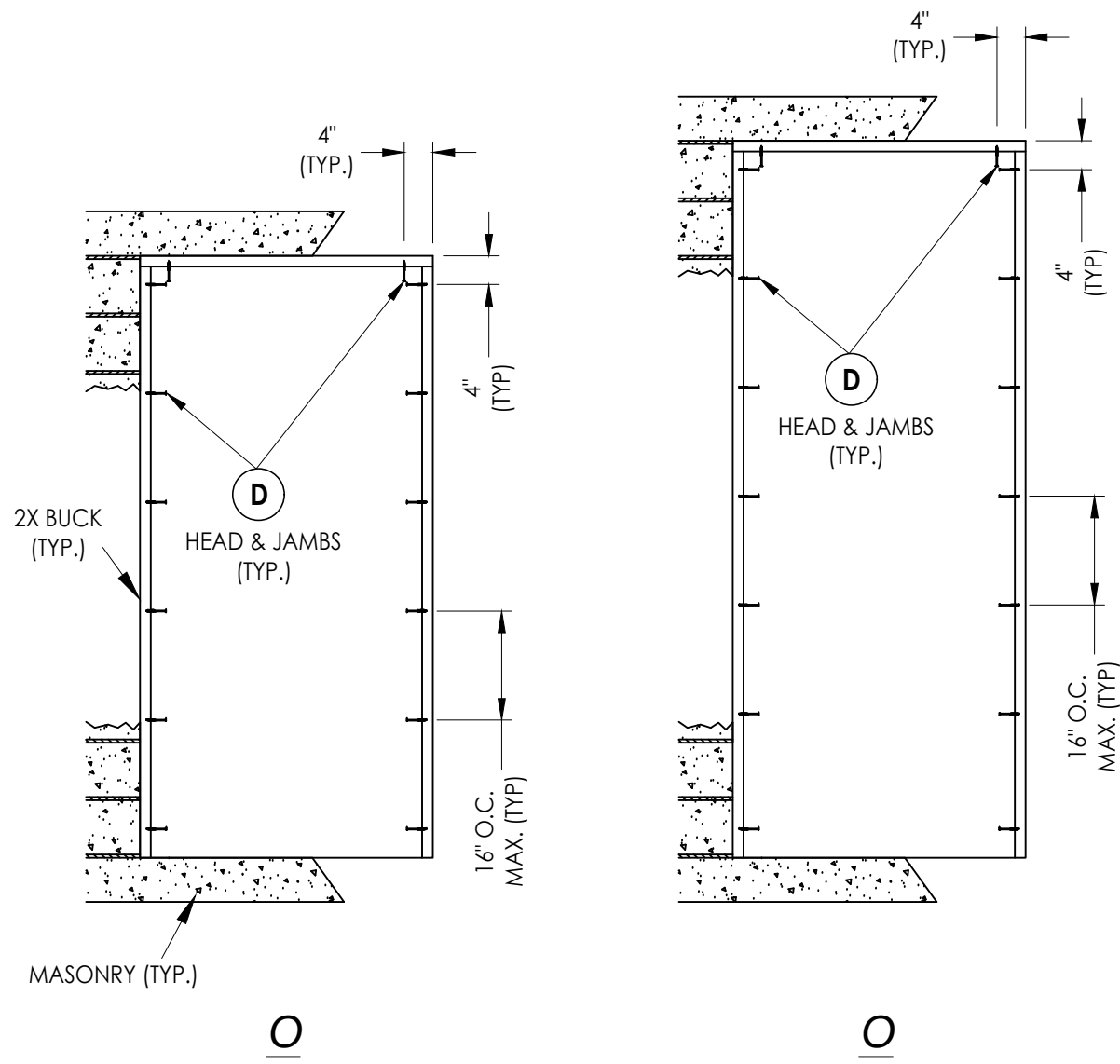
RW BUILDING CONSULTANTS, INC.
P.O. Box 230, Valrico, FL 33595
Phone No.: 813.659.9197
FBPE Registry No. 9813

PRODUCT: WINCORE
FIBERGLASS ENTRY DOOR
"Impact"

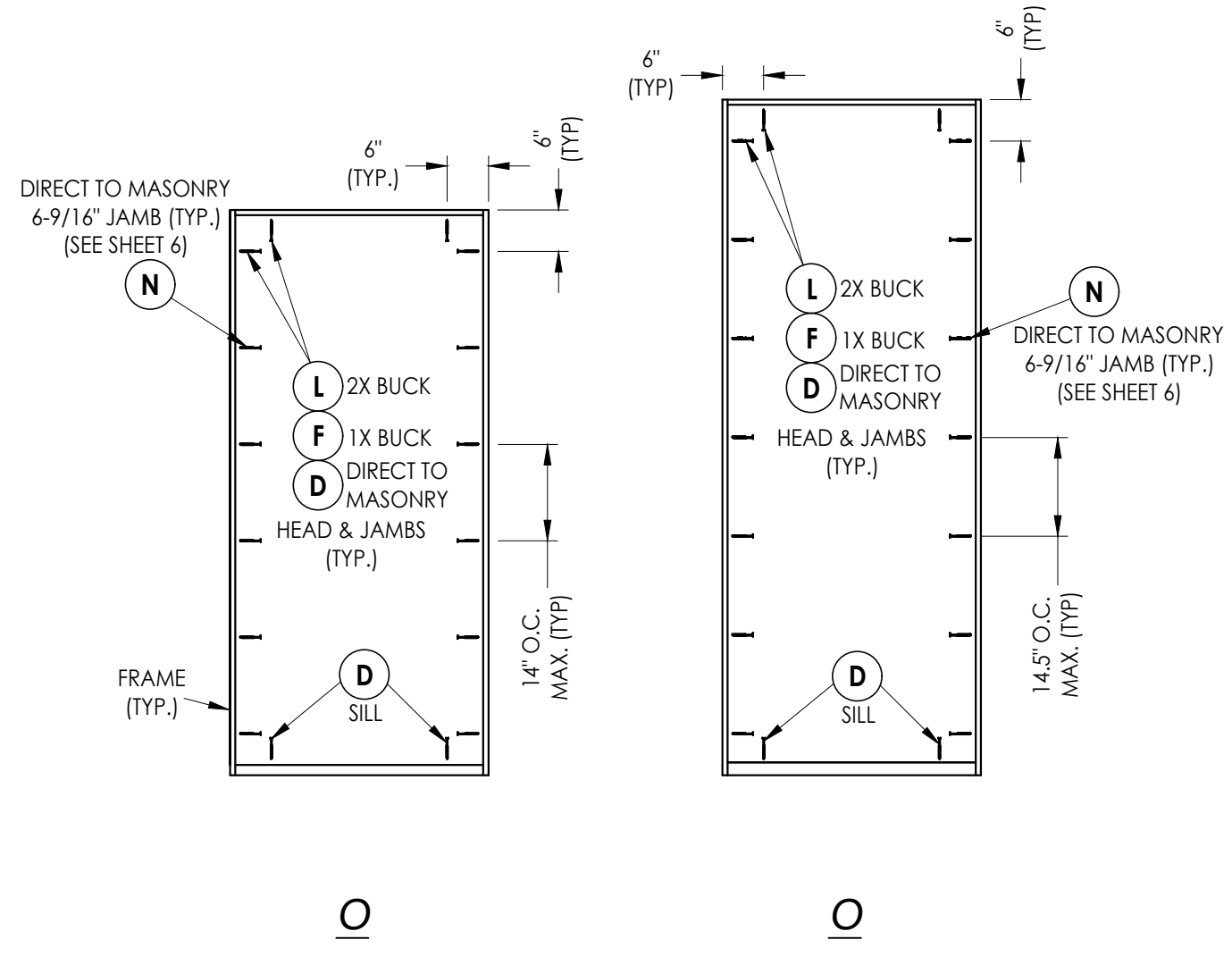
PART OR ASSEMBLY:
HORIZONTAL & VERTICAL CROSS
SECTIONS (D.T.M. & THRESHOLDS)

NO.	DATE	REVISIONS
2	7/06/23	UPDATE TO 8TH ED. (2023) FBC LFS
1	10/14/20	UPDATE TO 7TH ED. (2020) FBC LFS

DATE:	8/08/19
SCALE:	N.T.S.
DWG. BY:	RW
CHK. BY:	LFS
DRAWING NO.:	FL-30037.9
SHEET	6 OF 8



2X BUCK ANCHORING



FRAME ANCHORING

Documents Prepared By:
Lyndon F. Schmidt
P.E. No. 43409

RW BUILDING CONSULTANTS, INC.
P.O. Box 230, Vairico, FL 33595
Phone No.: 813.659.9197
FBPE Registry No. 9813

PRODUCT: WINCORE
FIBERGLASS ENTRY DOOR
"Impact"

PART OR ASSEMBLY:
BUCK & FRAME ANCHORING

NO.	DATE	BY
2	7/06/23	LFS
1	10/14/20	LFS

REVISIONS

DATE: 8/08/19

SCALE: N.T.S.

DWG. BY: RW

CHK. BY: LFS

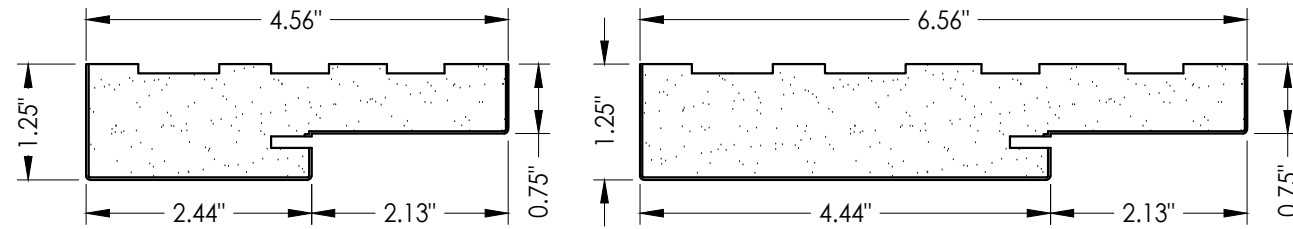
DRAWING NO.:

FL-30037.9

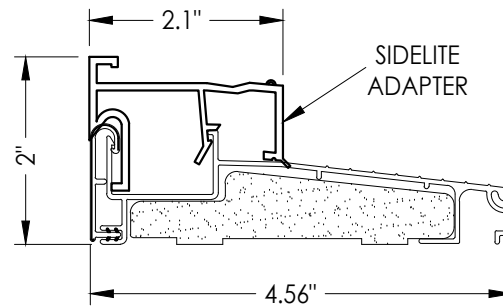
SHEET 7 OF 8

BILL OF MATERIALS

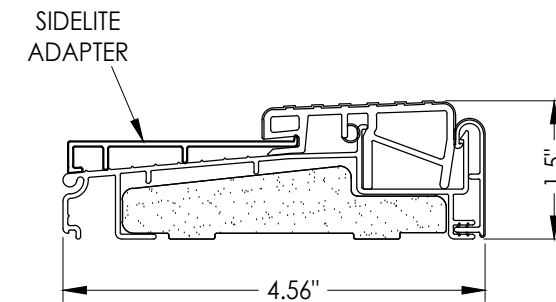
ITEM #	DESCRIPTION	MATERIAL
A	1X BUCK (G >= 0.42)	WOOD
B	2X BUCK (G >= 0.42)	WOOD
C	1/4" MAX. SHIM SPACE	-
D	1/4" X 2-3/4" PFH DeWALT OR ITW CONCRETE SCREW	STEEL
E	MASONRY - 3,000 PSI MIN. CONCRETE CONFORMING TO ACI 301 OR HOLLOW BLOCK CONFORMING TO ASTM C90	CONCRETE
F	1/4" X 3-3/4" PFH DeWALT OR ITW CONCRETE SCREW	STEEL
L	#10 X 2-1/2" PFH WOOD SCREW (1.15" MIN. EMB.)	STEEL
N	3/16" X 2-3/4" ITW CONCRETE SCREW	STEEL
1	POLY FIBER JAMB	COMP.
21	INSWING THRESHOLD w/ SIDELITE ADAPTER	ALUM/COMP
23	OUTSWING THRESHOLD w/ SIDELITE ADAPTER	ALUM/COMP
25	OUTSWING THRESHOLD	ALUM/WOOD
27	INSWING THRESHOLD w/ SIDELITE ADAPTER	ALUM/WOOD
50	SIDELITE PANEL (6'-8")	-
51	SIDELITE PANEL (8'-0")	-



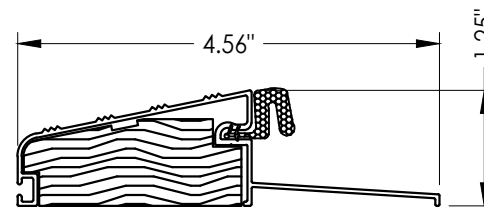
1 POLY FIBER JAMB



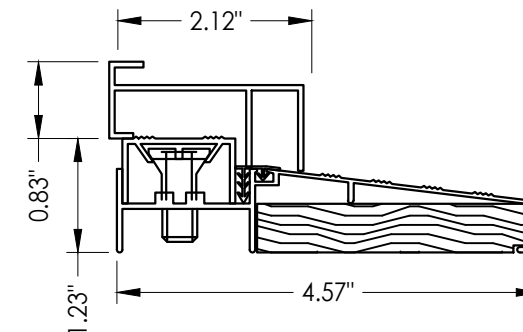
21 INSWING THRESHOLD w/ SIDELITE ADAPTER
Endura (Z-Series)



23 OUTSWING THRESHOLD w/ SIDELITE ADAPTER
Endura (Z-Series)



25 OUTSWING THRESHOLD
DLP



27 INSWING THRESHOLD w/ SIDELITE ADAPTER
DLP

CONCRETE ANCHOR NOTES:

- Concrete anchor locations at the corners may be adjusted to maintain the min. edge distance to mortar joints.
- Concrete anchor locations noted as "MAX. ON CENTER" must be adjusted to maintain the min. edge distance to mortar joints, additional concrete anchors may be required to ensure the "MAX. ON CENTER" dimension are not exceeded.
- Concrete anchor table:

ANCHOR TYPE	ANCHOR SIZE	MIN. EMBEDMENT	MIN. CLEARANCE TO MASONRY EDGE	MIN. CLEARANCE TO ADJACENT ANCHOR
ITW BUILDEX TAPCON®	3/16"	1-1/4"	3"	1-1/2"
	1/4"	1-1/4"	2"	4"
DeWALT ULTRACON+®	1/4"	1-1/4"	1"	4"

WOOD SCREW INSTALLATION NOTES:

- Maintain a minimum 5/8" edge distance, 1" end distance, & 1" o.c. spacing of wood screws to prevent the splitting of wood.

Documents Prepared By:
Lyndon F. Schmidt
P.E. No. 43409

RW BUILDING CONSULTANTS, INC.
P.O. Box 230, Vairico, FL 33595
Phone No.: 813.659.9197
FBPE Registry No. 9813

PRODUCT: WINCORE
FIBERGLASS ENTRY DOOR
"Impact"

PART OR ASSEMBLY:
BILL OF MATERIALS
& COMPONENTS

NO.	DATE	BY	REVISIONS
2	7/06/23	FBC	UPDATE TO 8TH ED. (2023)
1	10/14/20	FBC	UPDATE TO 7TH ED. (2020)

DATE:	8/08/19
SCALE:	N.T.S.
DWG. BY:	RW
CHK. BY:	LFS
DRAWING NO.:	FL-30037.9
SHEET	8 OF 8